



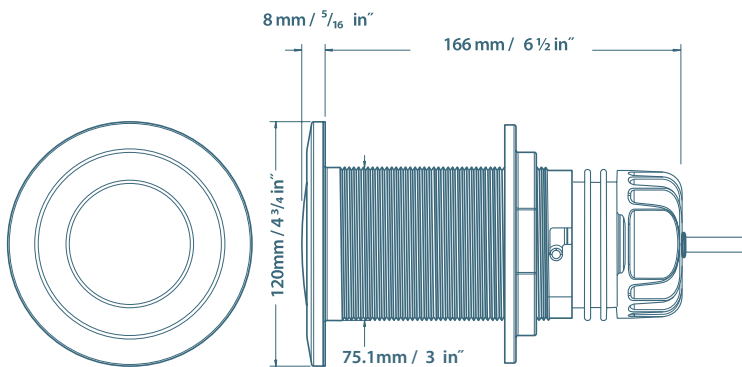
**AQUALUMA®**  
LED LIGHTING

# GEN 4 - 12 SERIES

AS PART OF THE ICONIC THRU-HULL RANGE, THE 12 SERIES IS A SERIOUS LIGHT DESIGNED TO ILLUMINATE LARGER BOATS.



The 12 Series is a larger Thru-Hull option. This powerful light is capable of packing a serious punch. The 12 Series has a corrosion-proof, injection-molded, patented polymer housing and is internally driven and maintainable. Available in Ultra Blue and Brilliant White, this product is recommended for boats from 12 metres (40 feet) to 30 metres (100 feet). As part of the Thru-Hull range, the 12 Series features Aqualuma's 10 year housing warranty with a 3 year warranty on internals.



## TECHNICAL SPECIFICATIONS

- GEN 4 LED technology
- 3 year warranty on internals
- 10 year housing warranty
- Patented, High-Tech chemically resistant polymer housing
- Internally serviceable and upgradeable
- 12 or 24 Volt DC
- Current draw of less than 2.0 amps @ 12 Volt or 1.0 amp @ 24 Volt
- No bonding to anodes required
- Meets world EMI standard
- No lens seals to deteriorate or leak
- 3.7 metre (12 feet) of tinned marine cable
- Easy low cost 2-wire installation
- 75mm/3" thru-hull fitting
- External ignition protection
- Throws both a deep penetrating and wide flat beam of light from the one unit
- All new combination optic with increased horizontal spread

## BRILLIANT WHITE

- Color temperature 9000 to 10000 degrees Kelvin (the colder the white the further it travels in water)
- Fixture Lumens : 1,525 lm
- Fixture Lumens Lowlight Conditions: 3,608 lm

## ULTRA BLUE

- Color temperature 470nm (the color that travels further in salt water than any other)
- Fixture Lumens : 570 lm
- Fixture Lumens Lowlight Conditions : 9,990 lm

